

SC433DA, SC433LDA D.M

PARTS CATALOG

2002 YEAR

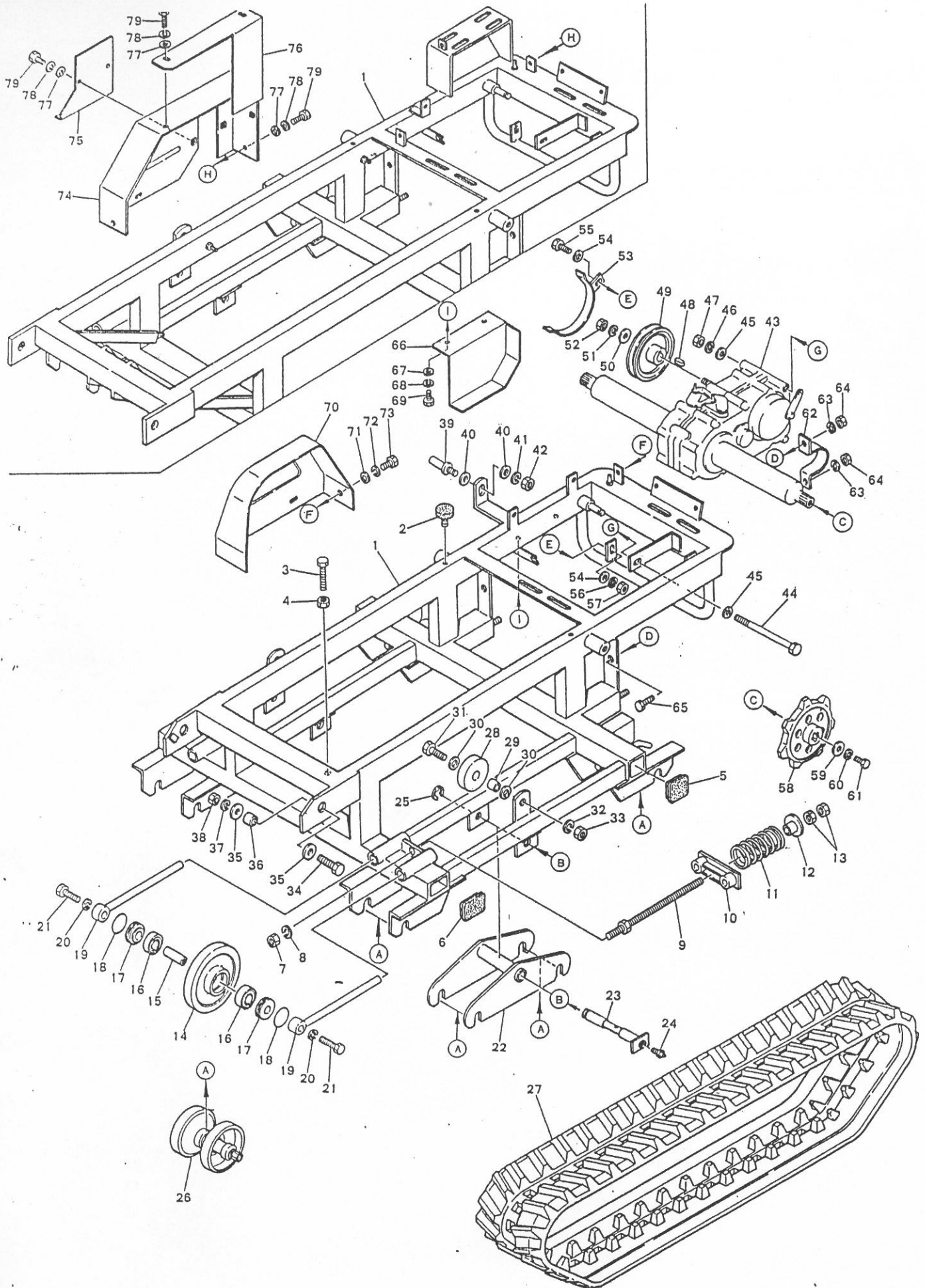


SATO MFG.CO.,LTD.

5262-1 NO SANWA-MURA NAKAKUBIKI-GUN
NIIGATA JAPAN 943-0225

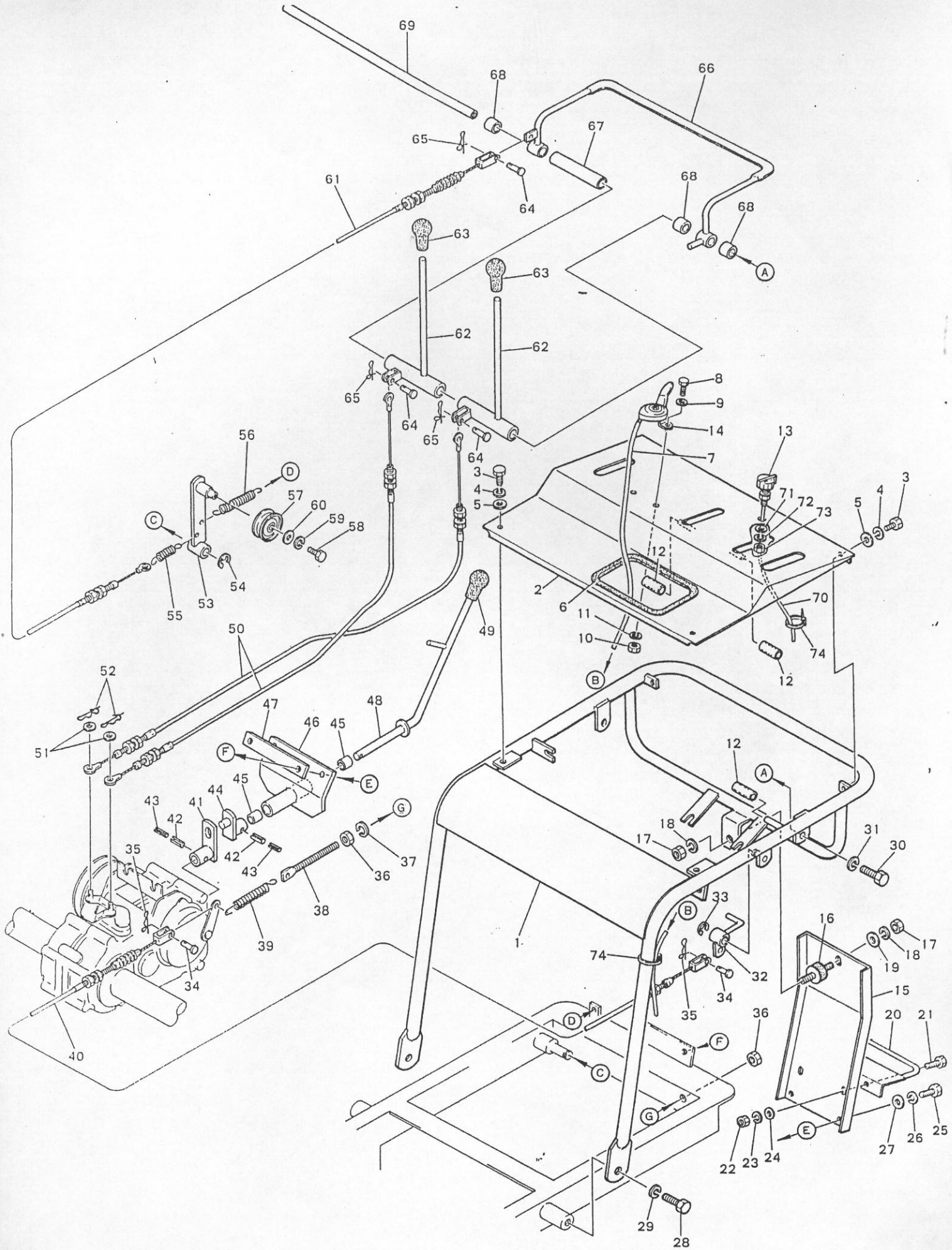
TEL 0255 32 2000
FAX 0255 32 4100

SC433DA, SC433LDA 1 Crawler system



Item No	Parts number	Parts name	Remarks	D	LD
				Q'ty	Q'ty
1- 1	60850020100	Chassis		1	
1- 1	60870020100	Chassis			1
1- 2	6376512000	Receiver rubber		2	2
1- 3	0010109872	Bolt	M10×60	1	1
1- 4	0020100010	Nut	M10	1	1
1- 5	60850060000	Rubber cap	50×50×13.2	2	2
1- 6	60850060100	Rubber cap	60×40×13.2	2	2
1- 7	0020900016	Nut	M16	2	2
1- 8	0027100016	Spring washer	M16	2	2
1- 9	60850121300	Crawler tension bolt		2	2
1- 10	6331420000	Crawler tension metal		2	2
1- 11	60800020100	Crawler tension spring		2	2
1- 12	60850120200	Tension washer		2	2
1- 13	0020100016	Nut	M16	4	4
1- 14	6331530000	Front wheel		2	2
1- 15	6061540000	Front wheel axis		2	2
1- 16	0040146204A	Bearing	6204 (2NS)	4	4
1- 17	60665110000	Dustproof collar		4	4
1- 18	0052300450	O ring	G45	4	4
1- 19	6061410000	Crawler tension rod		4	4
1- 20	0027100012	Spring washer	M12	4	4
1- 21	0010111245	Bolt	M12×45(8T)	4	4
1- 22	60850121100	Swing arm		2	2
1- 23	60850121200	Swing arm shaft		2	2
1- 24	0060660000	Grease fitting	1/4-28UNF A形	2	2
1- 25	0036800015	Snap ring	E15	2	2
1- 26	60850160100	Track roller <i>Axle</i>		8	8
1- 26	6061550000	Roller <i>Track</i>		8	8
1- 27	60850160000	Rubber crawler	200W×72P×35L	2	2
1- 28	6376520000	Roller idle	φ78	2	2
1- 29	6081150020	Roller shaft bush	6491040600	2	2
1- 30	6152201010	Washer	0026100014 M14	4	4
1- 31	0010100845	Bolt	0010111445 M8×45 14×45	2	2
1- 32	0027100008	Spring washer	0027100014 M8 1714	2	2
1- 33	0020100008	Nut	0020100014 M8 1714	2	2
1- 34	0010111040	Bolt	M10×40(8T)	2	2
1- 35	7082200000	Washer		4	4
1- 36	60855220100	Collar deck		2	2
1- 37	0027100010	Spring washer	M10	2	2
1- 38	0020100010	Nut	M10	2	2
1- 39	6062070010	Dump hook bolt		1	
1- 40	0026100012	Plate washer	M12	2	
1- 41	0027100012	Spring washer	M12	1	
1- 42	0020100012	Nut	M12	1	
1- 43	89990070	Mission	CM64A1	1	1
1- 44	00101010160	Bolt	M10×160	1	1
1- 45	0026100010	Plate washer	M10	2	2
1- 46	0027100010	Spring washer	M10	1	1
1- 47	0020100010	Nut	M10	1	1

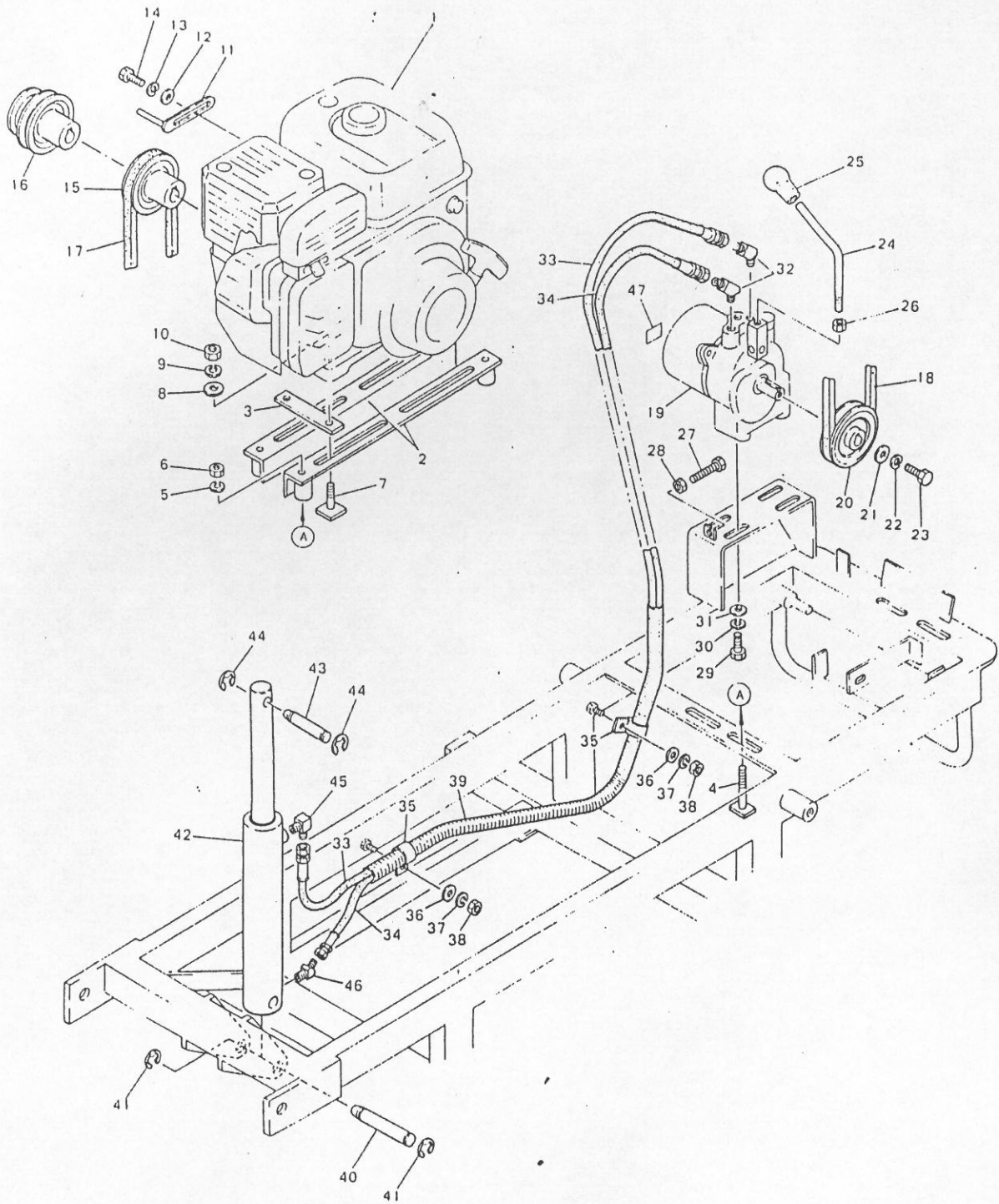
Item No	Parts number	Parts name	Remarks	D	LD
				Q'ty	Q'ty
1-48	0300000026	Key	5×5×35(RR)	1	1
1-49	60850120300	Pulley T/M		1	1
1-50	7082200000	Washer		1	1
1-51	0027100010	Spring washer	M10	1	1
1-52	0020100010	Nut	M10	1	1
1-53	60850120400	Belt stopper		1	1
1-54	0026100008	Plate washer	M8	2	2
1-55	0100000015	Bolt	M8×25	1	1
1-56	0027100010	Spring washer	M10	1	1
1-57	0020100010	Nut	M10	1	1
1-58	6030020000	Sprocket 7T		2	2
1-59	6030201000	Washer		2	2
1-60	0027100010	Spring washer	M10	2	2
1-61	0010101020	Bolt	M10×20	2	2
1-62	6501230000	Support T/M		2	2
1-63	0027100012	Spring washer	M12	4	4
1-64	0020100012	Nut	M12	4	4
1-65	0012801235	Bolt	M12×35	2	2
1-66	60851120100	Cover T/M pulley		1	1
1-67	0026100008	Plate washer	M8	2	2
1-68	0027100008	Spring washer	M8	2	2
1-69	0010100816	Bolt	M8×16	2	2
1-70	60851160000	Cover belt		1	
1-71	7022200010	Washer		3	
1-72	0027100008	Spring washer	M8	3	
1-73	0010100816	Bolt	M8×16	3	
1-74	60871120000	Cover belt			1
1-75	60871120100	Cover A belt			1
1-76	60871120200	Cover B belt			1
1-77	0026100008	Plate washer	M8		8
1-78	0027100008	Spring washer	M8		8
1-79	0010100816	Bolt	M8×16		8



Item No	Parts number	Parts name	Remarks	D	LD
				Q'ty	Q'ty
2-1	60856021000	Handle dead man		1	1
2-2	60856021100	Plate lever		1	1
2-3	0010100612	Bolt	M6×12	4	4
2-1	0027100006	Spring washer	M6	4	4
2-5	6066070000	Washer		4	4
2-6	362 01984	Trim	600L	1	1
2-7	6066043000	Throttle wire Assy		1	1
2-8	0010100616	Bolt	M6×16	2	2
2-9	0026100006	Plate washer	M6	2	2
2-10	0020100006	Nut	M6	2	2
2-11	0027100006	Spring washer	M6	2	2
2-12	6085007095	Rubber hose	φ9.5×30L	3	3
2-13	60852260200	Switch		1	1
2-14	8036131000	Throttle lever		1	1
2-15	60856020800	Stay handle		1	1
2-16	7906204000	Cushion rubber		1	1
2-17	0020100010	Nut	M10	2	2
2-18	0027100010	Plate washer	M10	2	2
2-19	0026100010	Plate washer	M10	1	1
2-20	60856020900	Guide plate		1	1
2-21	0010100816	Bolt	M8×16	2	2
2-22	0020100008	Nut	M8	2	2
2-23	0027100008	Spring washer	M8	2	2
2-24	0026100008	Plate washer	M8	2	2
2-25	0100000016	Bolt	M8×30	2	2
2-26	0027100008	Spring washer	M8	2	2
2-27	0026100008	Plate washer	M8	2	2
2-28	0010101025	Bolt	M10×25	2	2
2-29	0027100010	Spring washer	M10	2	2
2-30	0010100816	Bolt	M8×16	2	2
2-31	0027100008	Spring washer	M8	2	2
2-32	60856021500	Link brake		1	1
2-33	0036800012	Snap ring	E12	1	1
2-34	6066080000	Pin	φ6×19(15)	2	2
2-35	0031199006	S/T pin	φ6	2	2
2-36	0020100008	Nut	M8	2	2
2-37	0027100008	Spring washer	M8	1	1
2-38	7252221000	Eye bolt		1	1
2-39	6062105000	Spring		1	1
2-40	60856060300	Wire brake		1	1
2-41	60850120600	Link A (change)		1	1
2-42	0030300525	Spring pin	φ5×25	2	2
2-43	0030300325	Spring pin	φ3×25	2	2
2-44	60850120700	Link B (change)		1	1
2-45	00MB1415DU	DU bush	MB1415DU	2	2
2-46	60850120900	Bracket change		1	1
2-47	60850121000	Spacer		1	1
2-48	60850120800	Lever change		1	1

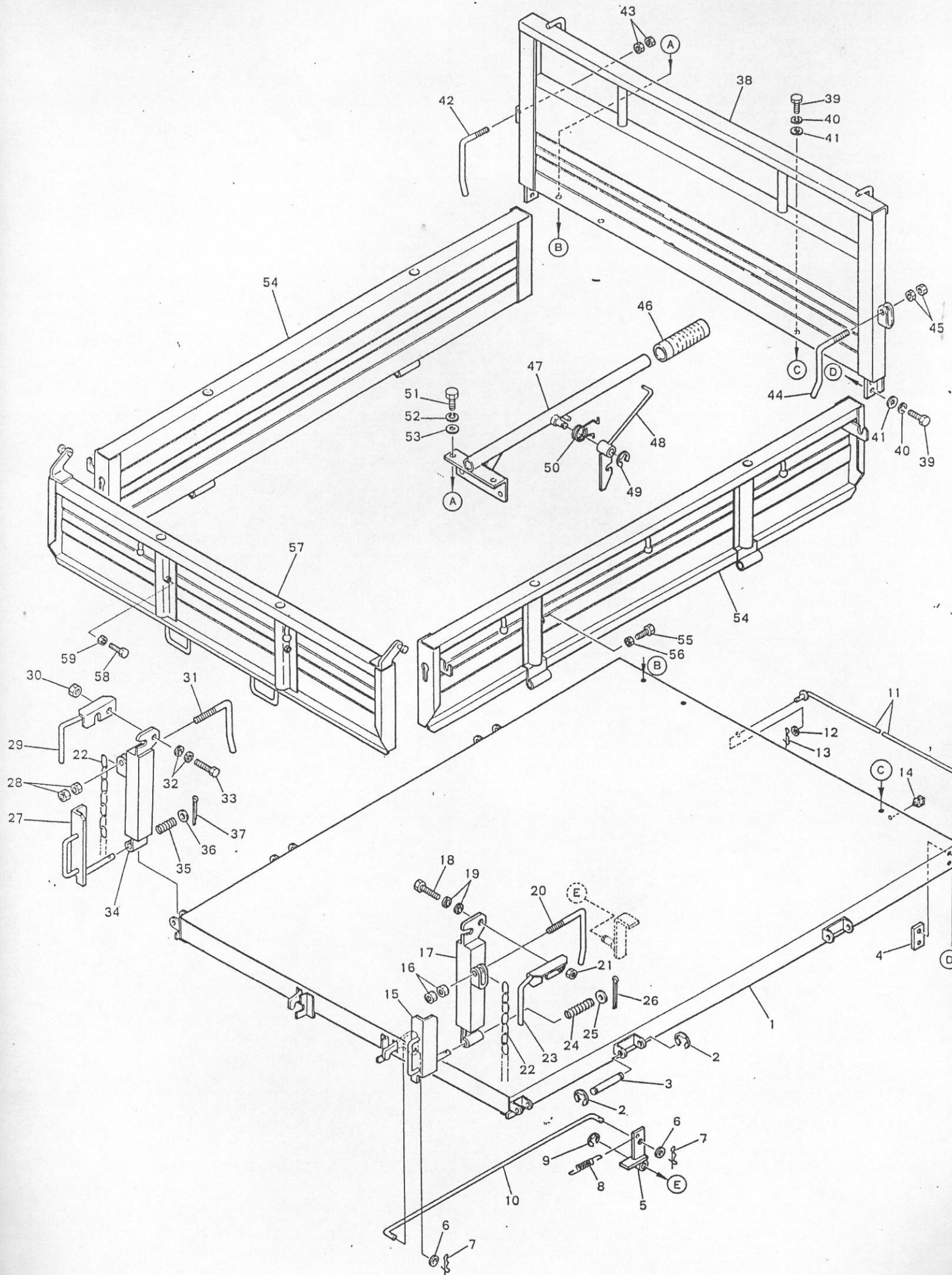
Item No	Parts number	Parts name	Remarks	D	LD
				Q'ty	Q'ty
2-49	6036030000	Grip	$\phi 14$	1	1
2-50	60856060000	Wire side clutch		2	2
2-51	0026100006	Plate washer	M6	2	2
2-52	0031199006	S/T pin	$\phi 6$	2	2
2-53	60856020600	Tension arm		1	1
2-54	0036800012	Snap ring	E12	1	1
2-55	6062105000	Spring		1	1
2-56	6062104020	Spring		1	1
2-57	6066110000	Tension pulley	55T	1	1
2-58	0010100614	Bolt	M6 \times 14	1	1
2-59	0027100006	Spring washer	M6	1	1
2-60	6066070000	Washer		1	1
2-61	60856060100	Wire traction		1	1
2-62	60856020300	Lever side clutch		2	2
2-63	6066030030	Grip	$\phi 12$	2	2
2-64	6066080000	Pin	$\phi 6 \times 19(15)$	3	3
2-65	0031199006	S/T pin	$\phi 6$	3	3
2-66	60856021400	Lever dead man		1	1
2-67	60856021300	Collar B		1	1
2-68	60856021200	Collar A		3	3
2-69	6502150000	Shaft lever		1	1
2-70	60852260100	Harness		1	1
2-71	0026100008	Plate washer	M8	1	1
2-72	0027100008	Spring washer	M8	1	1
2-73	0020300008	Nut	M8	1	1
2-74	80329060000	Tie	L=160	7	7
2-7	6066043000W	Wire		1	1

SC433DA,SC433LDA 3 Engine hydraulic system



Item No	Parts number	Parts name	Remarks	D	LD
				Q'ty	Q'ty
3-1	60852260700	Engine	GM182LN	1	1
	60852260500	Engine	GX160	1	1
3-2	6032290001	Engine base	(GM182LN)	2	2
	60852220000	Engine base	(GX160)	2	2
3-3	6012720000	Spacer		2	2
3-4	6332072000	Bolt		4	4
3-5	0027100010	Spring washer	M10	4	4
3-6	0020100010	Nut	M10	4	4
3-7	6314072000	Bolt		4	4
3-8	0026100008	Plate washer	M8	4	4
3-9	0027100008	Spring washer	M8	4	4
3-10	0020100008	Nut	M8	4	4
3-11	6152370000	Belt stopper		2	2
3-12	0026100008	Plate washer	M8	2	2
3-13	0027100008	Spring washer	M8	2	2
3-14	0010100816	Bolt	M8×16	2	2
3-15	6502302000	Engine pulley		1	
3-16	6522302000	Engine pulley			1
3-17	0080300034	V belt	B34	1	1
	0080300035	V belt	B35	1	1
3-18	0080200021	V belt	A21 (GM182)		1
	0080200021	V belt	A21(GX160)		1
3-19	6376161000	Hydraulic pump	PPH1.7AC		1
3-20	6372305000	Input pulley			1
3-21	7082200000	Washer			1
3-22	0027100010	Spring washer	M10		1
3-23	0010101016	Bolt	M10×16		1
3-24	6522335000	Lever			1
3-25	6006030000	Grip	φ 10用 black		1
3-26	0020100010	Nut	M10		1
3-27	0100000020	Bolt	M8×50		1
3-28	0020100008	Nut	M8		1
3-29	0010100820	Bolt	M8×20		4
3-30	0027100008	Spring washer	M8		4
3-31	0026100008	Plate washer	M8		4
3-32	6376163000	Elbow	PT1/4-PF1/4		2
3-33	6786480000	Hydraulic hose	L=1865		1
3-34	6396164010	Hydraulic hose	L=1715		1
3-35	194-00028	U clip	φ 28		2
3-36	0026100006	Plate washer	M6		2
3-37	0027100006	Spring washer	M6		2
3-38	0020100006	Nut	M6		2
3-39	ML40-0034	Tube	φ 22 L=1100		1

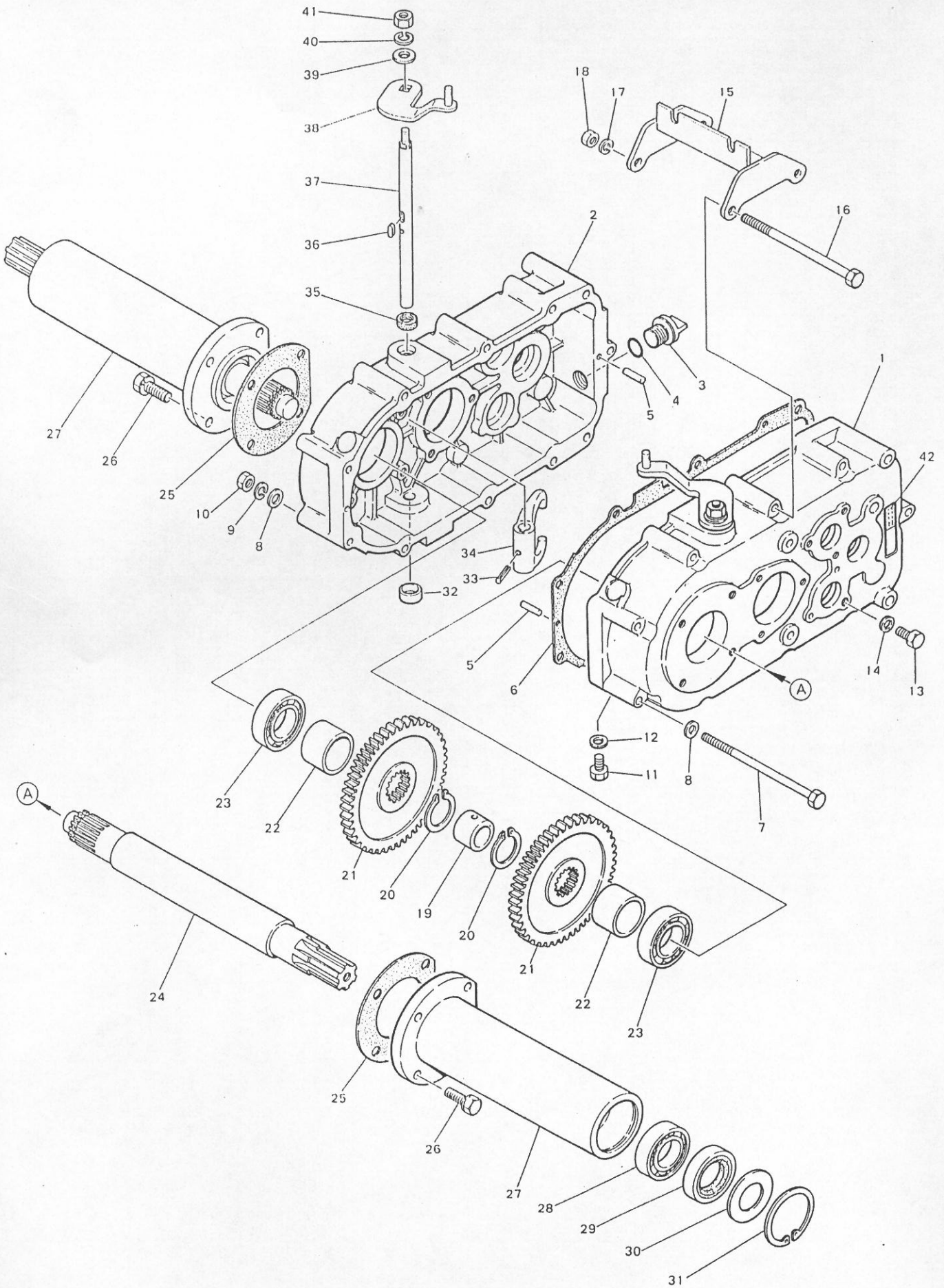
SC433DA,SC433LDA 4 Deck system



Item No	Parts number	Parts name	Remarks	D Q'ty	LD Q'ty
4-1	60855222200	Deck		1	
	60875220300	Deck			1
4-2	0036800006	Snap ring	E6	8	8
4-3	60855220400	Pin		4	4
4-4	60855222300	Stay		2	2
4-5	6372250000	Link deck		1	1
4-6	0026100008	Plate washer	M8	2	2
4-7	0031199008	S/T pin	$\phi 8$	2	2
4-8	6062104000	Spring		1	1
4-9	0036800012	Snap ring	E12	1	1
4-10	6402394000	Rod hook		1	
	6372394020	Rod hook			1
4-11	60855222100	Stay deck		1	
	60875220200	Stay deck			1
4-12	0026100012	Plate washer	M12	1	1
4-13	0031199012	S/T pin	$\phi 12$	1	1
4-14	368-01529	Clamp		1	1
4-15	60855222000	Stay left door		1	1
4-16	0020100010	Nut	M10	2	2
4-17	60855221800	Prop LH		1	1
4-18	0100000015	Bolt	M8×25	1	1
4-19	0265000008	Hard washer	M8	2	2
4-20	6062392010	Hook door		1	1
4-21	0020100008	Nut	M8	1	1
4-22	6066140000	Link chine		4	4
4-23	6062391010	Hook prop LH		1	1
4-24	8092100000	Spring		1	1
4-25	0026100008	Plate washer	M8	1	1
4-26	0030102520	Sprit pin	$\phi 2.5 \times 20$	1	1
4-27	60855221900	Stay right door		1	1
4-28	0020100010	Nut	M10	2	2
4-29	6062391000	Hook prop RH		1	1
4-30	0020100008	Nut	M8	1	1
4-31	6062392000	Hook door		1	1
4-32	0265000008	Hard washer	M8	2	2
4-33	0100000015	Bolt	M8×25	1	1
4-34	60855221700	Prop RH		1	1
4-35	8092100000	Spring		1	1
4-36	0026100008	Plate washer	M8	1	1
4-37	0030102520	Sprite pin	$\phi 2.5 \times 20$	1	1
4-38	60855221400	Bar		1	1
4-39	0010100820	Bolt	M8×20	5	7
4-40	0027100008	Spring washer	M8	5	7
4-41	0026100008	Plate washer	M8	5	7
4-42	6062392010	Hook door		1	1
4-43	0020100010	Nut	M10	2	2
4-44	6062392000	Hook door		1	1
4-45	0020100010	Nut	M10	2	2

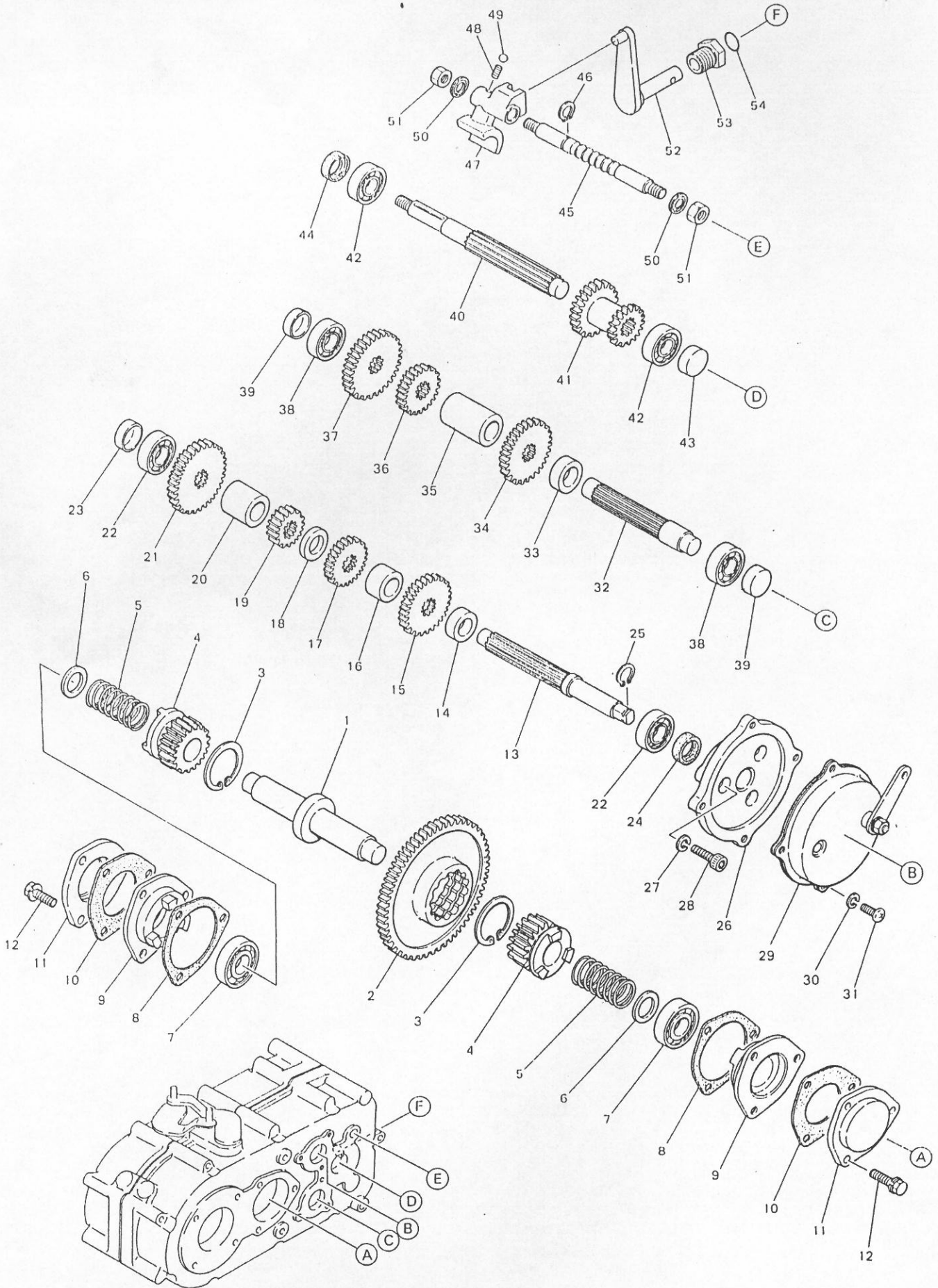
Item No	Parts number	Parts name	Remarks	D	LD
				Q'ty	Q'ty
4-46	6066030000	Grip	φ 27	1	
4-47	60855221100	Stay dump		1	
4-48	6062393000	Hook dump		1	
4-49	0036800012	Snap ring	E12	1	
4-50	6062101010	Spring		1	
4-51	0100000015	Bolt	M8 × 25	4	
4-52	0027100008	Spring washer	M8	4	
4-53	0026100008	Plate washer	M8	4	
4-54	60855221500	Door side		2	2
4-55	0100000015	Bolt	M8 × 25	4	4
4-56	0020100008	Nut	M8	4	4
4-57	60855221600	Door front		1	1
4-58	0100000015	Bolt	M8 × 25	2	2
4-59	0020100008	Nut	M8	2	2

SC433D,LD CM64A1 1 Transmission system



Item No	Parts number	Parts name	Remarks	Q'ty
1-1	89997020200	Mission case (RH)		1
1-2	89997020300	Mission case (LH)		1
1-3	89997060200	Plug		1
1-4	0052100180	O ring	P18	1
1-5	0030500520	Pin	$\phi 5 \times 20$	2
1-6	89997060000	Packing		1
1-7	00101008130	Bolt	M8 \times 130	7
1-8	0026100008	Plate washer	M8	14
1-9	0027100008	Spring washer	M8	7
1-10	0020100008	Nut	M8	7
1-11	0010100812	Bolt	M8 \times 12	1
1-12	0025100008	Seal washer	M8	1
1-13	0010100816	Bolt	M8 \times 16	1
1-14	0025100008	Seal washer	M8	1
1-15	89997920000	Bracket wire		1
1-16	00101008130	Bolt	M8 \times 130	2
1-17	0027100008	Spring washer	M8	2
1-18	0020100008	Nut	M8	2
1-19	89997620200	Collar A		1
1-20	0036100030	Snap ring	S30	2
1-21	89997620100	Gear 47T		2
1-22	89997620300	Collar B		2
1-23	0040106006A	Ball bearing	6006	2
1-24	89997620000	Axle		2
1-25	89997660000	Packing		2
1-26	00105001025	Bolt with sw	M10 \times 25	8
1-27	89997620400	Axle case		2
1-28	0040106006A	Ball bearing	6006	2
1-29	0600305512	Oil seal	UE305512	2
1-30	89997620500	Cover oil seal		2
1-31	0036500055	Snap ring	R55	2
1-32	NOKEZOO25B0	Blind cup	EZ0025B0	2
1-33	0030300420	Spring pin	$\phi 4 \times 20$	2
1-34	89997520800	Clutch hook		2
1-35	0600012227	Oil seal	UE12227	2
1-36	0300004412	Key	4 \times 4 \times 12RR	2
1-37	89997520700	Hook rod		2
1-38	89997520900	Clutch lever		2
1-39	0026100008	Plate washer	M8	2
1-40	0027100008	Spring washer	M8	2
1-41	0020300008	Nut	M8	2
1-42	89997060100	Mark serial		1

SC433D,LD CM64A1 2 Transmission system



Item No	Parts number	Parts name	Remarks	Q'ty
2-1	89997520000	Side clutch shaft		1
2-2	89997520100	clutch gear 61T		1
2-3	0036500042	Snap ring	R42	2
2-4	89997520200	Side clutch gear 17T		2
2-5	89997520600	Spring		2
2-6	89997520500	Collar 11		2
2-7	0040106004	Ball bearing	6004	2
2-8	89997560000	Packing A		2
2-9	89997520300	Clutch jaw		2
2-10	89997560100	Packing B		2
2-11	89997520400	Cover clutch shaft		2
2-12	0010500825	Bolt with sw	M8×25	6
2-13	89997220000	Brake shaft		1
2-14	89997220100	Collar C		1
2-15	89997220200	Gear 27T		1
2-16	89997220300	Collar D		1
2-17	89997220400	Gear 20T		1
2-18	89997220500	Collar E		1
2-19	89997220600	Gear 15T		1
2-20	89997220700	Collar F		1
2-21	899972210000	Gear 33T		1
2-22	040106003A	Ball bearing	6003	2
2-23	NOKEZ0036A0	Blind cup	EZ0036A0	1
2-24	0600017287	Oil seal	UE17287	1
2-25	0036100015	Snap ring		1
2-26	89997220900	Holder brake	S15	1
2-27	0027100006	Spring washer		3
2-28	0010700630	Cup screw	M6×30	3
2-29	89997260000	Brake Assy		1
2-30	0027100006	Spring washer	M6	4
2-31	0015100614	Screw	(+)M6×14	4
2-32	89997320000	Reverse shaft		1
2-33	89997220100	Collar C		1
2-34	89997220200	Gear 27T		1
2-35	89997320100	Collar G		1
2-36	89997320200	Gear 20T		1
2-37	89997320400	Gear 26T		1
2-38	0040106003A	Ball bearing	6003	2
2-39	NOKEZ0036A0	Blind cup	EZ0036A0	2
2-40	89997120000	Input shaft		1
2-41	89997120100	Gear 25/18T		1
2-42	0040106003A	Ball bearing	6003	2
2-43	NOKEZ0036A0	Blind cup	EZ0036A0	1
2-44	0600017287	Oil seal	UE17287	1
2-45	89997720500	Shift shaft		1
2-46	0036100013	Snap ring	S13	1
2-47	89997720100	Shift hook		1
2-48	89997720600	Spring		1

